



Shini USA Storage Mixers incorporate high speed blending to mix virgin pellets, regrind, and/or color concentrates.

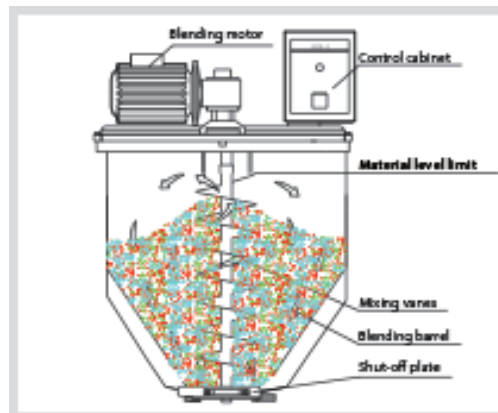
A vertically mounted internal auger rotates and lifts the pellets from the bottom of the hopper to the top, efficiently mixing the material.

SSM Storage Mixers are easy to use, clean, and maintain. A safety interlock switch stops the mixing when the lid is opened during operation.

## Features

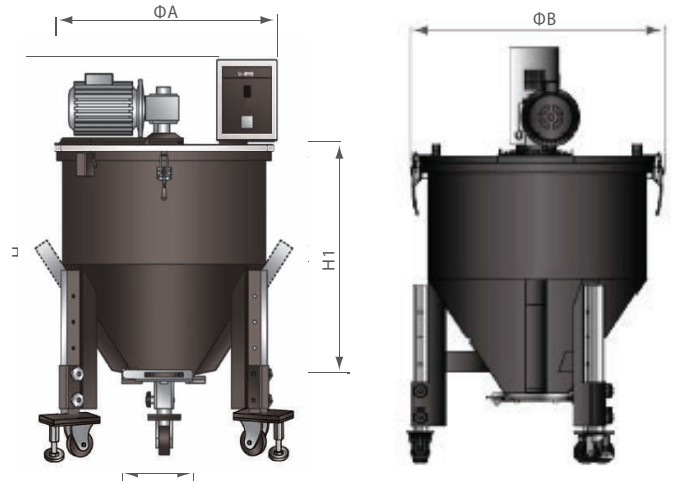
- Auger & Hopper Design Ensures Even Mixing of Materials
- Auto-Stop Timer
- Removal Lid Assembly (Lid, Motor, and Control Box) for Easy Cleaning
- Slide Gate/Drain
- Main Power Switch & Safety Interlock to Ensure Operator Safety
- Adjustable Height Leg Set Included
- Locking Casters
- 230 or 460V; 3 Phase

## Working Principle



**Specifications**

| Model                 | SSM-80U | SSM-160U | SSM-300U |
|-----------------------|---------|----------|----------|
| Motor Power (HP)      | 0.74    | 0.74     | 0.74     |
| Max Thru-put (lbs.hr) | 441     | 882      | 1,763    |
| Blending Barrel (gal) | 21      | 42       | 79       |
| Max. Noise Level (dB) | 70      | 70       | 70       |
| Dimensions            |         |          |          |
| H (in)                | 45.6    | 55.5     | 63.6     |
| H1 (in)               | 27.3    | 34.1     | 38.7     |
| H2 (in)               | 13.9    | 17.9     | 19.9     |
| W (in)                | 10.0    | 11.9     | 11.9     |
| φA (in)               | 30.2    | 34.4     | 39.7     |
| φB (in)               | 28.0    | 34.1     | 41.3     |
| Weight (lbs)          | 183     | 278      | 412      |



**Other Plastics Auxiliary Equipment from Shini USA**



Front Feed Granulators



Hot Air Dryers



Desiccant Dryers



Blenders



Conveyors



Top Feed Granulators



Temperature Control Units



Material Loaders



Chillers



Feeders