

Shini USA's Hot Water Temperature Control Module combines efficiency & high quality in a compact, portable design.

Shini USA STM-W series hot water units, available in either 460 or 230 volt have a temperature range of 40° to 250°F and deliver temperature control with a +/-1°F accuracy. Primary features include direct injection cooling, non-ferrous piping, full diagnostics and a non-proprietary controller.

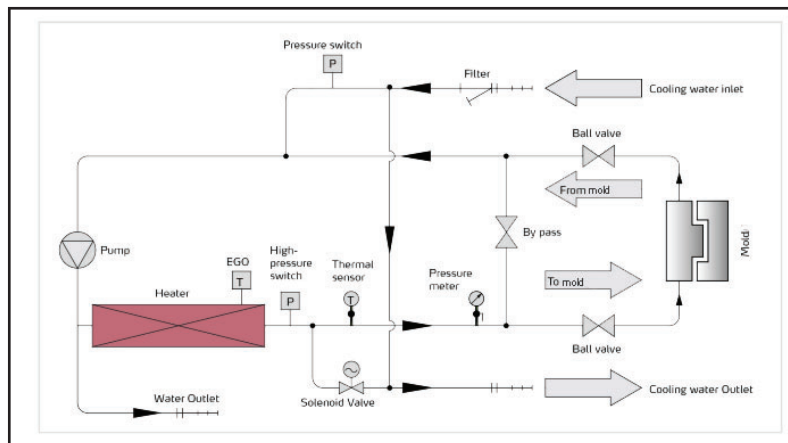
Units are available in 6, 9, 12, 24 and 36 kW models and include standard features such as: high flow, high pressure centrifugal pump, brass inlet strainer, automatic air vent sequence with adjustable timer and low watt density electric immersion heater. Each unit is factory tested prior to shipping and includes a 1-year parts warranty.



Features

- Compact and Portable
- High Flow, High Pressure Centrifugal Pump
- Insulated Heater Case with Flange Connections
- Self-Tuning Microprocessor Controller
- Phase Reverse Protection and Alarm
- Motor Overload Protection and Alarm
- Heavy Duty Powder Coated Cabinet
- Non-Ferrous Piping
- Microprocessor Controller with Self-Tuning
- Fully Enclosed Fuse Block
- Direct Injection Cooling
- Lift off Service Panel, Tools not Required

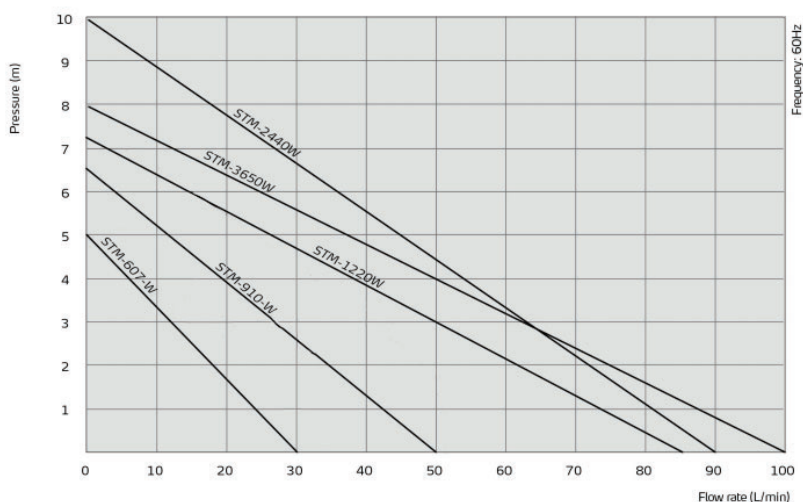
Working Principle



Specifications

Model	STM-607W	STM-910W	STM-1220W	STM-2440W	STM-3650W
Heater Capacity (BTUH)	20,472	30,708	40,944	81,888	122,832
Heater Capacity (kW)	6	9	12	24	36
Flow @ 30 PSI (GPM)	8	15	25	35	45
Pump (HP)	0.75	1	2.5	4.5	5.3
Cooling Control Valve Size (in)	1/2	1/2	1/2	1/2	1/2
Dimensions (in)	23.6 x 12.5 x 29	23.6 x 23 x 29	24 x 12.5 x 30.2	32 x 14x 37.6	38.2 x 18.2 x 39.4

Pump Performance



Other Plastics Auxiliary Equipment from Shini USA



Venturi Loader



Front Feed Granulators



Blenders



Conveyors



Feeders



Top Feed Granulators



Desiccant Dryers



Material Loaders



Chillers



Hot Air Hopper Dryer